

# DISPLAY REFRIGERATOR

## Model: 1RESNGD

Natural Refrigerant R-290 Model

### 1-Section Extra-Wide Display Reach-In Refrigerator with Hinged Glass Door - Shallow Depth

**1RESNGD** - Stainless steel front, aluminum end panels and interior

**1RESNSAGD** - Stainless steel exterior, aluminum interior

**1RESNSSGD** - Stainless steel exterior and interior



## Options and Accessories

(upcharge and lead times may apply)

|                                       |   |
|---------------------------------------|---|
| Stainless steel case back             | Wine rack                                 |
| Additional epoxy coated steel shelves | Adjustable legs                           |
| Chrome or stainless steel shelves     | Solid door (consult factory)              |
| Heavy duty pilaster strips            | Special electrical req. (consult factory) |
| Rehinging of door (consult factory)   | Standard depth (consult factory)          |
| Half doors                            |   |

Consult factory for other model configurations, options and accessories.

Project Name:

Model Specified:

Location:

Item No:

Quantity:

AIA #:

SIS #:

## Standard Model Features

### REFRIGERATION SYSTEM

Self contained, performance rated refrigeration system

Natural, environmentally safe, high efficiency R-290 refrigerant<sup>1</sup>

Automatic, electric condensate evaporator

Expansion valve system

### CABINET ARCHITECTURE

3" non-CFC polyurethane foam insulation

Triple-pane, tempered hinged glass door

Chrome plated handle

Cam action, lift-off hinges

Self-closing door

Magnetic snap in door gasket

Cylinder lock in door

Heavy duty, epoxy coated steel shelves

5" casters

### MODEL FEATURES

LED interior lighting

Off cycle defrost

Electronic controller with digital display & hi-low alarm

<sup>1</sup> R-290 refrigerant meets all federal and state regulatory requirements.

**Continental**<sup>®</sup>  
Refrigerator

Toll-Free: 800-523-7138  
Phone: 215-244-1400  
Fax: 215-244-9579

539 Dunksferry Road  
Bensalem, PA 19020  
[www.continentalrefrigerator.com](http://www.continentalrefrigerator.com)

APPROVAL:

# Model Specifications

## DIMENSIONAL DATA

|  |                  |
|--|------------------|
| Net Capacity (cubic feet)                          | 18 (510 cu l)    |
| Width, Overall (inches)                            | 28 1/2 (724 mm)  |
| Depth, Overall (inches)<br>(including handle)      | 29 1/4 (743 mm)  |
| Depth (inches) (less door)                         | 25 7/8 (657 mm)  |
| Depth (inches) (door open 90°)                     | 49 1/2 (1257 mm) |
| Clear Door Width (inches)                          | 21 7/8 (556 mm)  |
| Clear Door Height (inches)                         | 58 5/8 (1489 mm) |
| Height, Overall (inches)<br>(including 5" casters) | 82 1/4 (2089 mm) |
| Number of Doors                                    | 1                |
| Number of Shelves                                  | 4                |
| Shelf Area (square feet)                           | 20.4 (1.9 sq m)  |

## REFRIGERANT DATA

|                             |      |
|-----------------------------|------|
| Condensing Unit Size (H.P.) | 1/4+ |
| Capacity (BTU per hour)*    | 1940 |

## ELECTRICAL DATA

|  |                     |
|--|---------------------|
| Voltage (International)                        | 115/60/1 (220/50/1) |
| Feed Wires (including ground)                  | 3                   |
| Total Amps (International)                     | 6.5 (4.2)           |
| 10 ft. Cord/Plug [attached]<br>(International) | Yes<br>(No)         |

## SHIPPING DATA

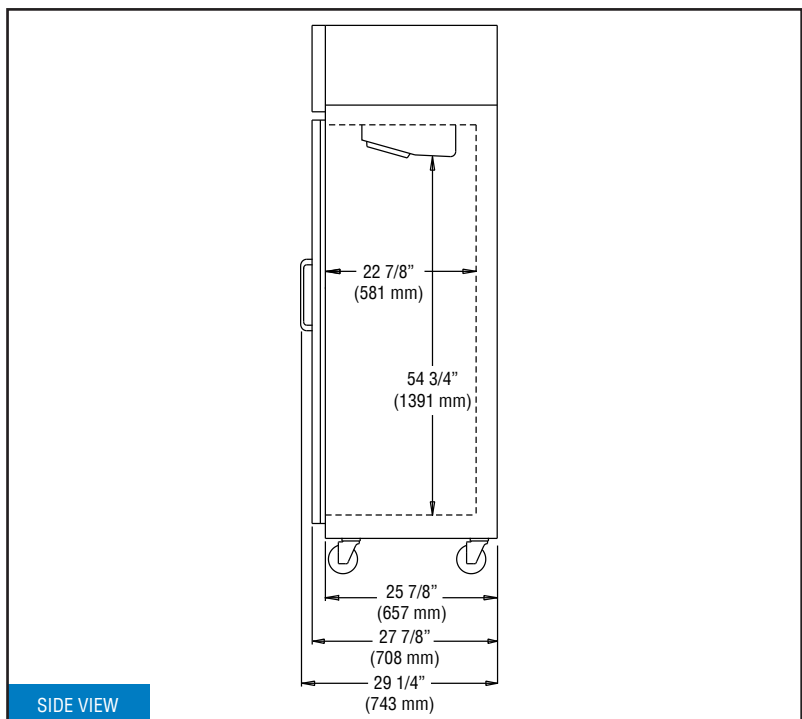
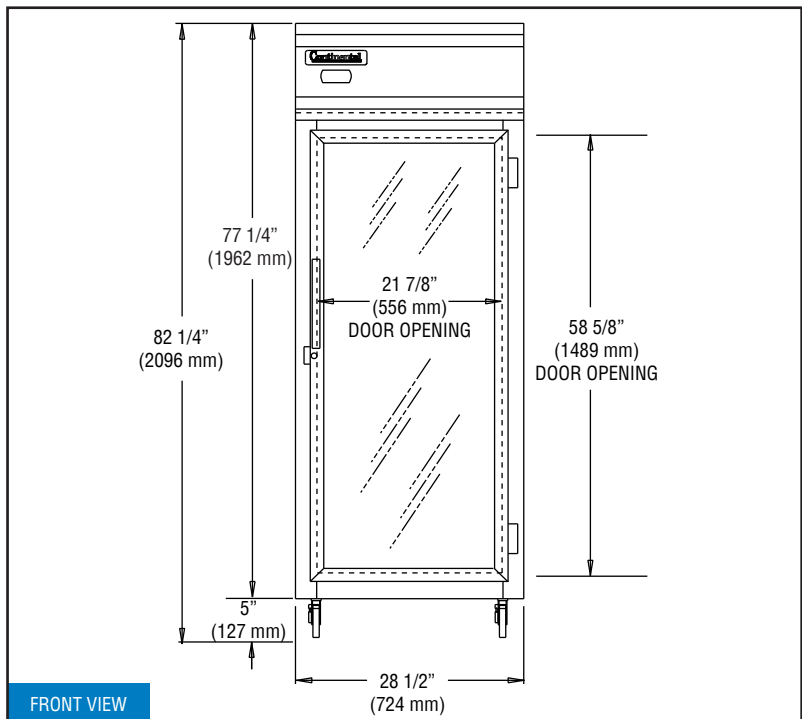
|                              |                  |
|------------------------------|------------------|
| Height - Crated (inches)     | 85 1/2 (2172 mm) |
| Width - Crated (inches)      | 31 5/8 (803 mm)  |
| Depth - Crated (inches)      | 42 (1067 mm)     |
| Volume - Crated (cubic feet) | 65 (1841 cu l)   |
| Weight Std - Crated (pounds) | 335 (152 kg)     |
| Weight SS - Crated (pounds)  | 355 (161 kg)     |

\* Rating @ +25°F evaporator, 90°F ambient  
Figures in parentheses reflect metric equivalents rounded to the nearest whole unit.



Equipped with one NEMA-5-15P Plug  
(varies by country)

# Model Plan Views



**IMPORTANT NOTE:** If the cabinet is located directly against a wall and/or under a low ceiling, a minimum clearance of 12" is required on top and 3" on sides and rear.

**Continental**  
Refrigerator

Toll-Free: 800-523-7138  
Phone: 215-244-1400  
Fax: 215-244-9579

539 Dunksferry Road  
Bensalem, PA 19020  
[www.continentalrefrigerator.com](http://www.continentalrefrigerator.com)

Due to our continued efforts in developing innovative products, specifications subject to change without notice.

